

G.C.C

DENOMINATION

Drujba Vip 001 75cl

MODEL Nr

529

Mold. N° 00

TECHNICAL DATE

Capacity: 750±10 ml

Capacity Brimf: 774±10ml

Weight: (grs.) 440

Finish :

Colour: Green, FM

Thickness of the glass bottle walls:
not less than 1.2mm.

Thickness of the glass bottle bottom:
not less than 2.4mm.

USE LIMITS

Termoshock max :
not less than 40°C

Pressure:

not less than: 5 (bar)

TOLERANCES (mm)

Verticality: ± 3.3

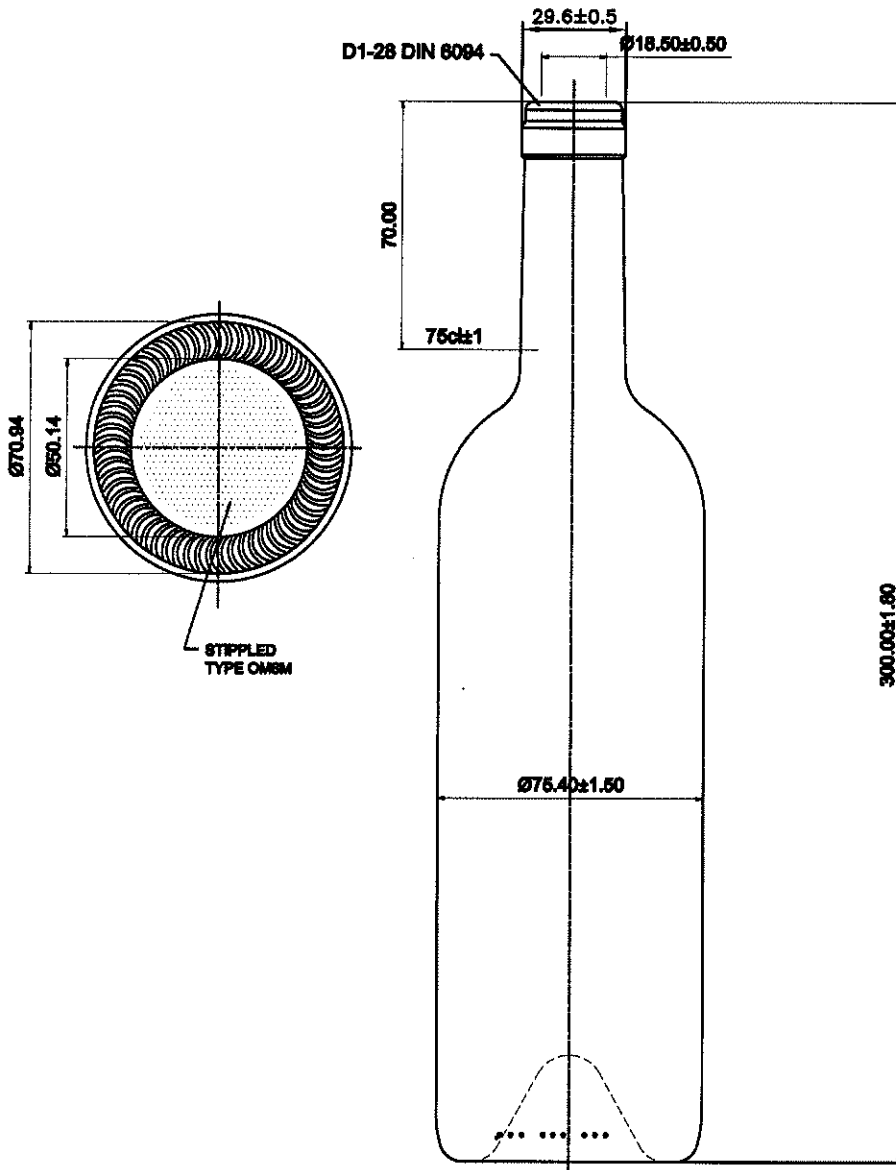
Height: ± 1.8

Diameter: ± 1.5

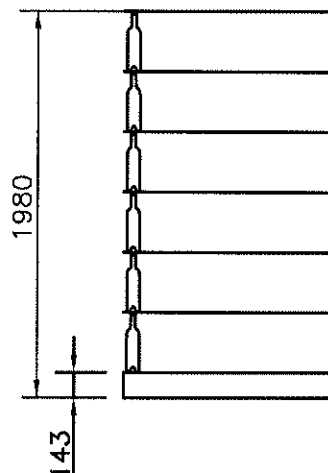
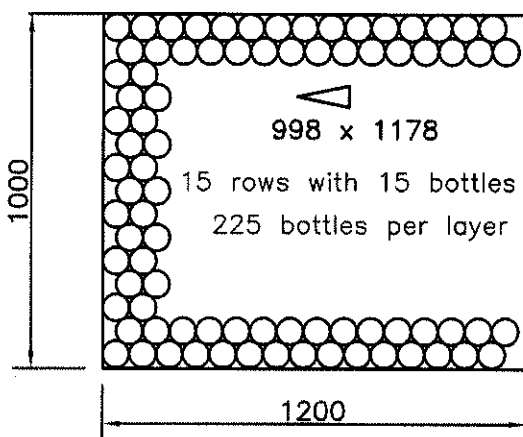
SURFACE TREATMENT

Hot end coating : yes

Cold end coating : yes



LAYOUT OF BOTTLES IN A PALLET



Nr of layers in a pallet: 6
Nr of bottles in a pallet : 1350
Pallet weight (Kg): 660

Pallet : 1200x1000
Lower tray : 1050x1200
Middle tray : 1050x1200
Cover: Cardboard
Wrappage : shrinkwrap film

22.05.2006