

G.C.C

DENOMINATION

Bordelesa VIP E 75cl

MODEL Nr

447

Mold. N° 04106H

TECHNICAL DATE

Capacity: 750 ml

Capacity Brimf: 775±10ml

Weight: (grs.) 490

Finish :

Colour: Green, FM

Thickness of the glass bottle walls:
not less than 1.2mm.

Thickness of the glass bottle bottom:
not less than 2.4mm.

USE LIMITS

Carbonated level :

Termoshock: not less than 40°C:

Pressure max (bar):
not less than 5

Axial loading max.(kg.)

Vertical durability max.(kg)

TOLERANCES (mm)

Verticality: ± 3.3

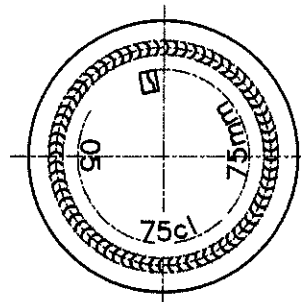
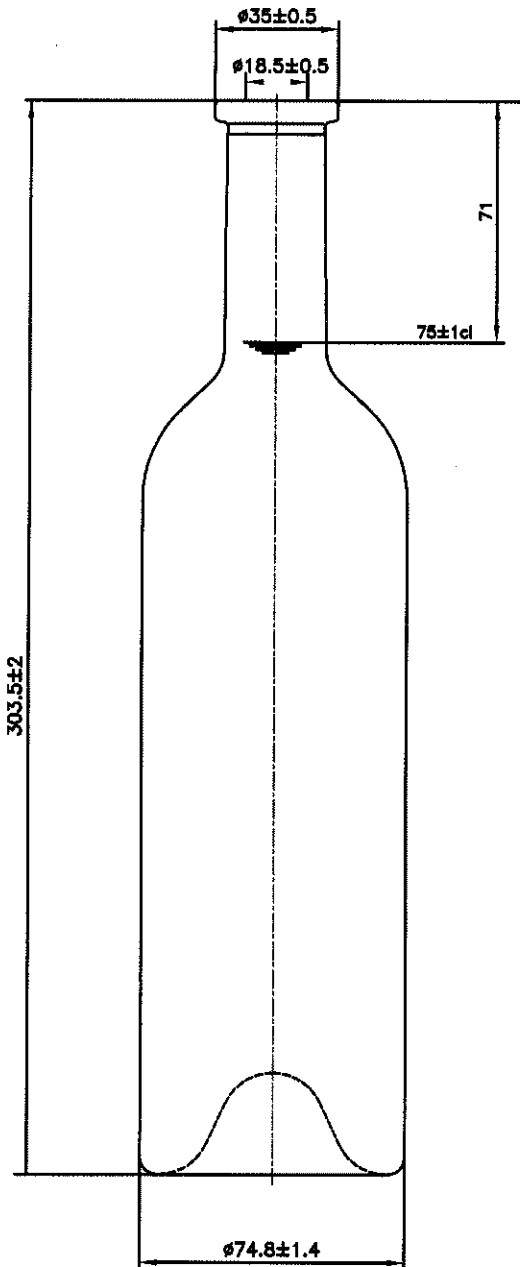
Height: ± 2

Diameter: ± 1.4

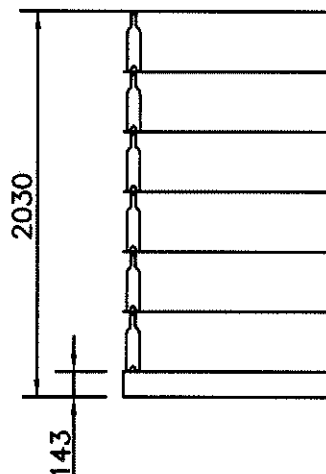
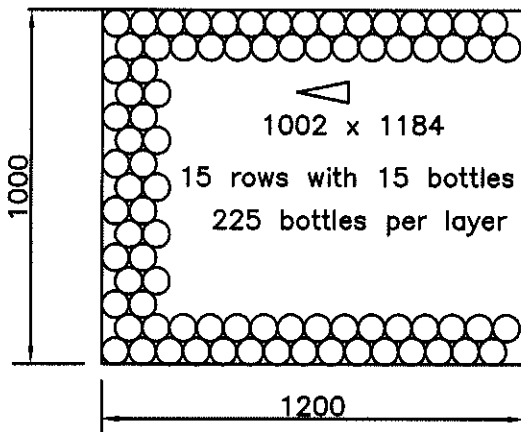
SURFACE TREATMENT

Hot end coating : yes

Cold end coating : yes



LAYOUT OF BOTTLES IN A PALLET



Nr of layers in a pallet: 6
Nr of bottles in a pallet : 1350
Pallet weight (Kg): 720

Pallet : 1200x1000
Lower tray : 1050x1200
Middle tray : 1050x1200
Cover: Cardboard
Wrappage : shrinkwrap film

04-04-2002