

# G.C.C

DENOMINATION

## Sparkling HR 75cl

MODEL Nr

# 210

Mold. N° 03028

TECHNICAL DATE

Capacity: 750 ml

Capacity Brimf: 775±10ml

Weight: (grs.) 600

Finish : 0

Colour: green

Thickness of the glass bottle walls:  
not less than 1.5mm.

Thickness of the glass bottle bottom:  
not less than 3mm.

USE LIMITS

Carbonated level :

Termoshock: not less than: 40°C

Pressure(bar): not less than 14

Axial loading max.(kg.)

Vertical durability max.(kg)

TOLERANCES (mm)

Verticality: ± 3.3

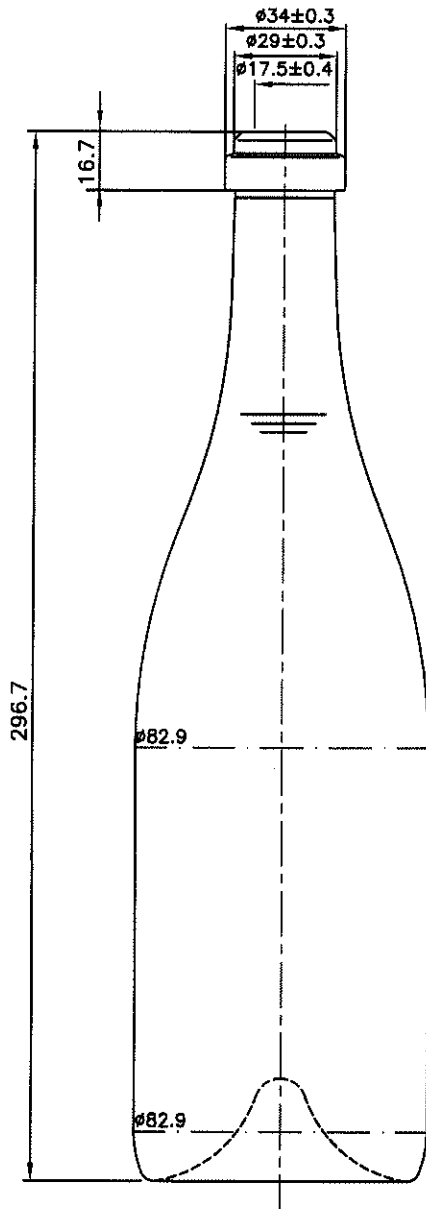
Height: ± 1.8

Diameter: + 1.6

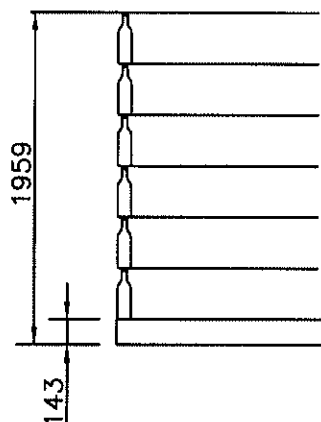
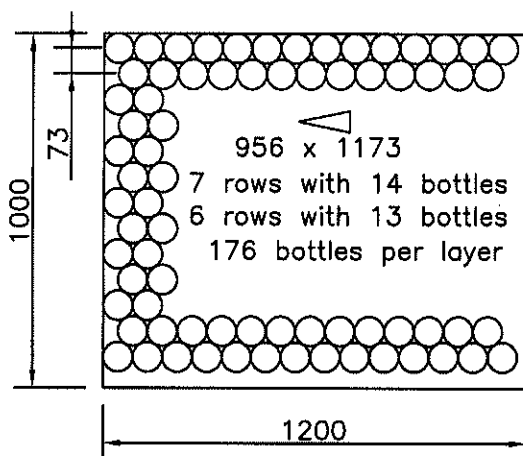
SURFACE TREATMENT

Hot end coating : yes

Cold end coating : yes



LAYOUT OF BOTTLES IN A PALLET



Nr of layers in a pallet: 6  
Nr of bottles in a pallet : 1056  
Pallet weight (Kg): 634

Pallet : 1200x1000  
Lower tray : 1050x1200  
Middle tray : 1050x1200  
Cover: Cardboard  
Wrappage : shrinkwrap film

08.09.2004