

G.C.P

DENOMINATION

Borcan 31.4cl TO-66

MODEL Nr

724

Mold. N° 00

TECHNICAL DATE

Capacity: 314±10ml
Capacity Brimf:
Weight: (grs.) 190
Finish : Twist-off 66
Colour: Flint

USE LIMITS

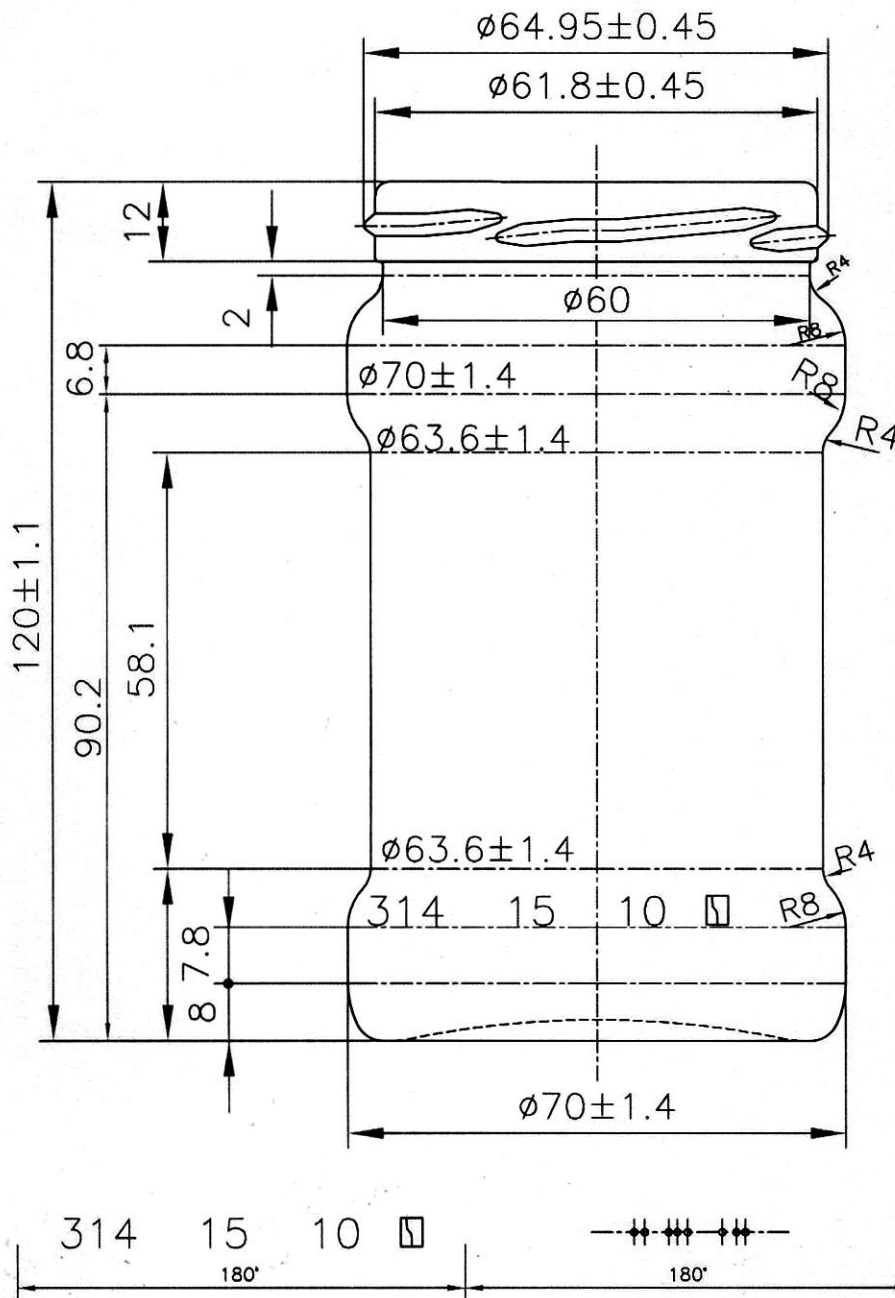
Carbonated level :
Termoshock: not less than 40°C:
Pressure max (bar):

TOLERANCES (mm)

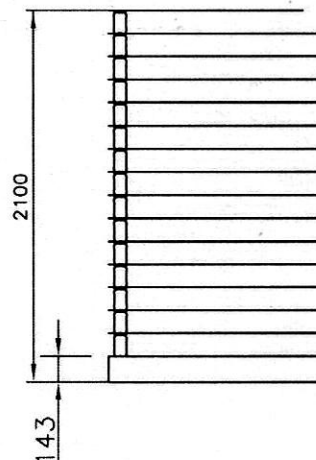
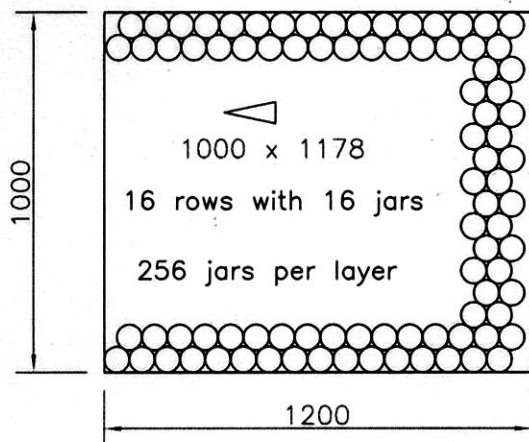
Verticality: ± 1.4
Height: ± 1.1
Diameter: ± 1.4

SURFACE TREATMENT

Hot end coating : yes
Cold end coating : yes



LAYOUT OF JARS IN A PALLET



Nr of layers in a pallet: 15
Nr of bottles in a pallet : 3840
Pallet weight (Kg): 770

Pallet : 1200x1000
Lower tray : 1050x1200
Middle tray : 1050x1200
Cover: Cardboard
Wrappage : shrinkwrap film

20.04.2010