

G.C.P

DENOMINATION

Borcan 31.4cl TO-63

MODEL Nr

723

Mold. N° 00

TECHNICAL DATE

Capacity: 314±10ml

Capacity Brimf:

Weight: (grs.) 190

Finish : Twist-off 63

Colour: Flint

USE LIMITS

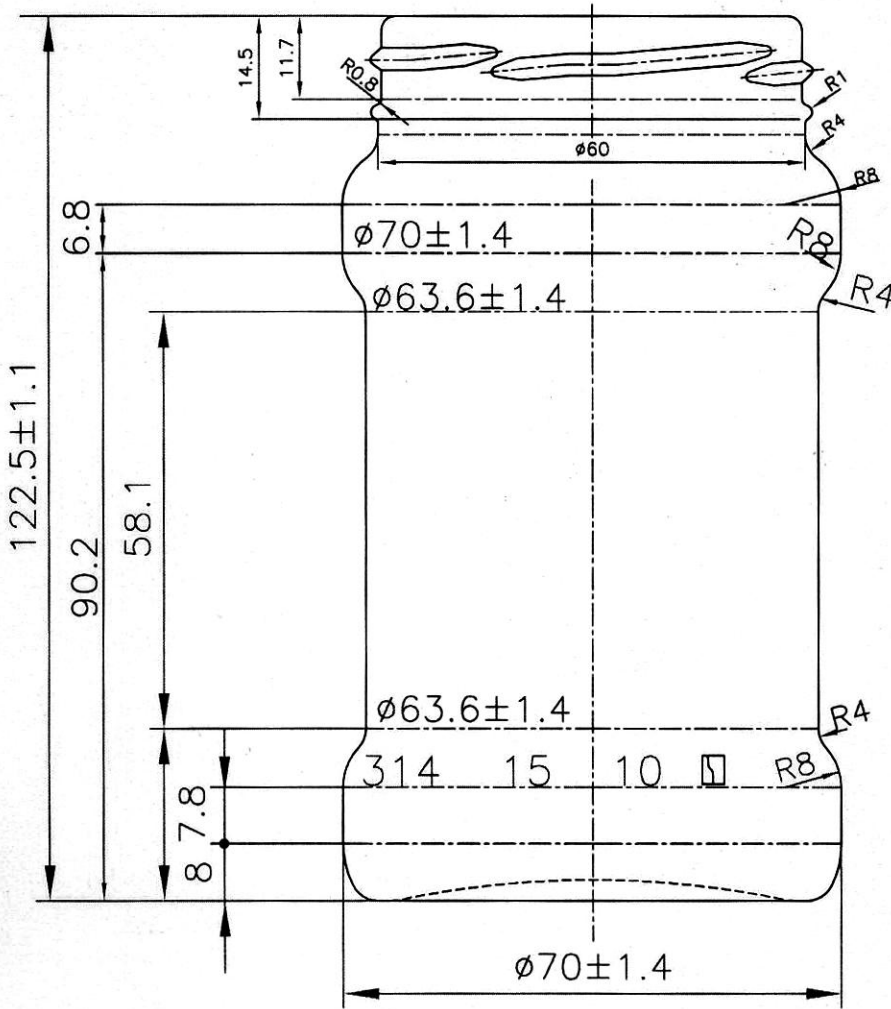
Carbonated level :
 Termoshock: not less than 40°C:
 Pressure max (bar):

TOLERANCES (mm)

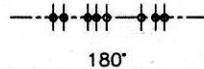
Verticality: ± 1.4
 Height: ± 1.1
 Diameter: ± 1.4

SURFACE TREATMENT

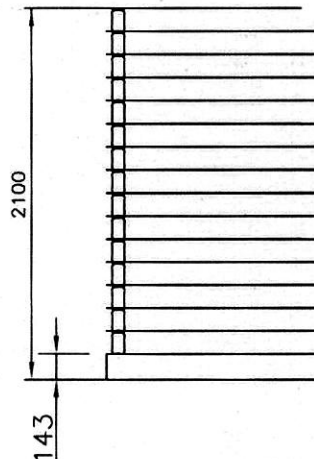
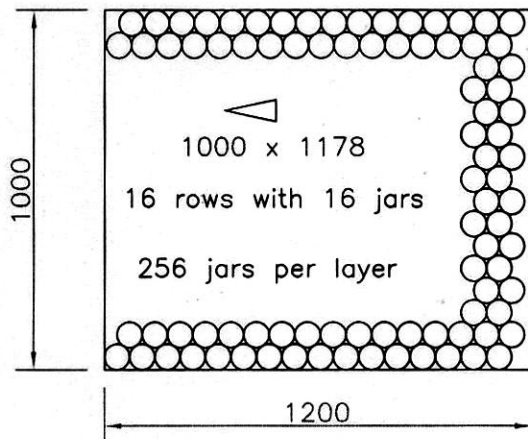
Hot end coating : yes
 Cold end coating : yes



314 15 10 □



LAYOUT OF JARS IN A PALLET



Nr of layers in a pallet: 15
 Nr of bottles in a pallet : 3840
 Pallet weight (Kg): 770

Pallet : 1200x1000
 Lower tray : 1050x1200
 Middle tray : 1050x1200
 Cover: Cardboard
 Wrappage : shrinkwrap film