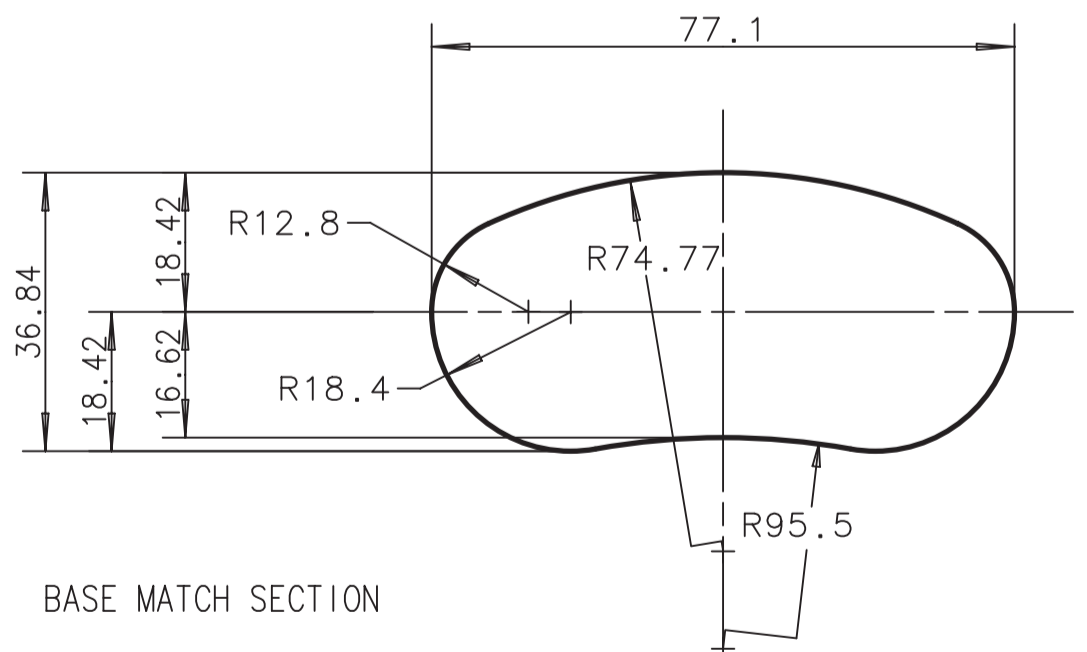
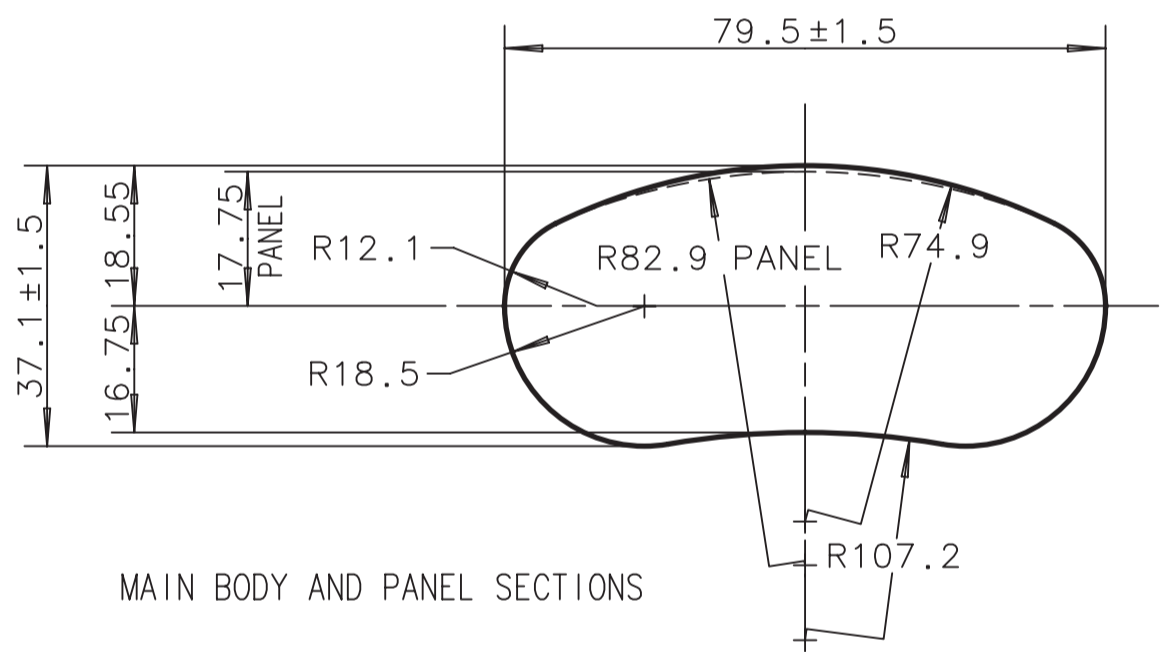
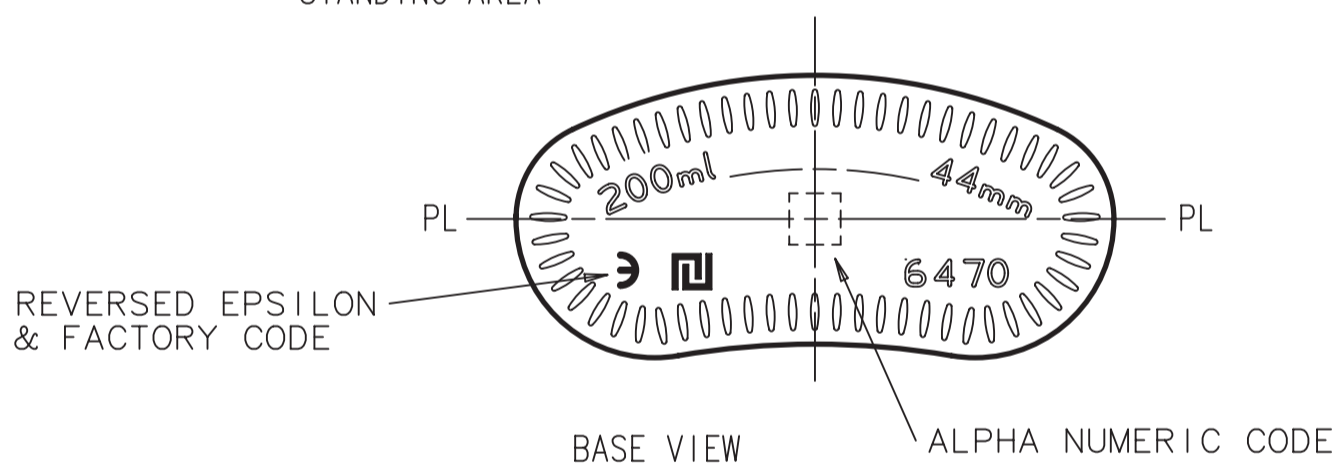


SHORT BAR STIPPLE ON
STANDING AREA



ALL DIMENSIONS ARE IN MILLIMETERS

NOTES

BASE LETTERING TO BE 4.0 MIN HIGH
AND ROUND BOTTOM STYLE.

2 ANTI-TWIST PIPS TO APPEAR AT 90° TO P.L.

GLASS COLOUR	FLINT/GREEN	(M)					
VACUITY	14.0	(L)					
FILL LEVEL	44	(K)					
		(J)					
		(H)					
		(G)	BASE MARKS MODIFIED TO INCLUDE ALPHA NUMERIC CODE	TB	06/01/04	TB	DB
		(F)	ANTI-TWIST PIPS ADDED TO NECK, COLOUR WAS JUST FLINT.	S.M	20/3/97	JH	KRR
		*	REVISION		DATE	CHK	DRC
MEASURING CONTAINER			NOMINAL CAPACITY	200.0ml ± 3.8ml		± 6.0ml	
MINIMUM THROUGH BORE	17.0		WEIGHT NOMINAL	255g			
TILT ANGLE	N/A		FINISH	30mm R.O.P.P. - GF305			
MAXIMUM CARBONATION (GAS VOLUMES)	N/A		SURFACE TREATMENT	HOT END - YES		COLD END - YES	

SPECIFICATION AGREEMENTS ARE BASED
ON TOLERANCED DIMENSIONS.
DO NOT SCALE DRAWING.
COPYRIGHT RESERVED, NOT TO BE COPIED
IN WHOLE OR PART WITHOUT WRITTEN
PERMISSION FROM ARDAGH GLASS LTD.



ArdaghGlass

200ml FLASK

CUSTOMER.	NON PROPRIETARY	DATE	20/12/96
DRAWN.	S.M.	D.R.C.	D.B.
CHECKED.	J.H.	SCALE	DRAWING No
			A2
FULL SIZE	6470-G-50		